



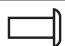

<b>MFX serie:</b>	<b>1051</b>
Diameter $\varnothing d$	<b>3,2</b> [+0,08/-0,10]

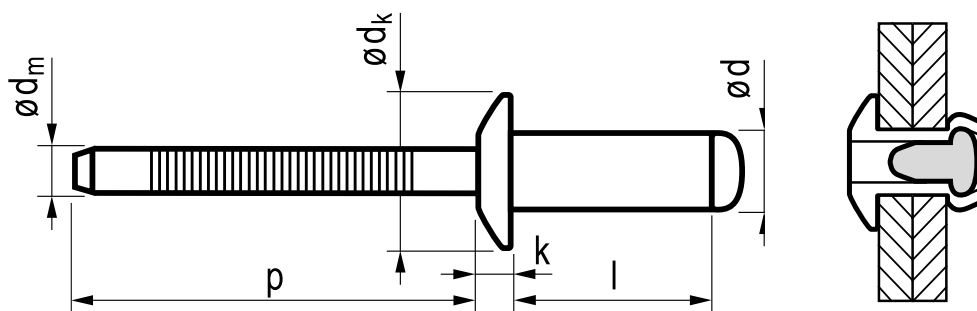


Length $l$ [+1/-0,2]	4,0	~1,5
	6,0	1,5-2,5
	8,0	2,5-4,5
	10,0	4,5-6,5
	12,0	6,5-8,5
	15,0	8,5-12,0
	18,0	12,0-15,0

$\varnothing d_k$	6,5 [+0/-0,7] mm
k	0,8 [+/- 0,2] mm
$\varnothing d_m$	~ 2,00
p	$\geq 27$ mm
	2.500 [N]
	1.800 [N]

Material

	<b>Stainless steel</b> [A2]
Finish	Polished
	<b>Stainless steel</b> [A2]
Finish	Polished



Date:	
By:	
Remarks:	